



Scan for full manual

VS-44UHD Quick Start Guide

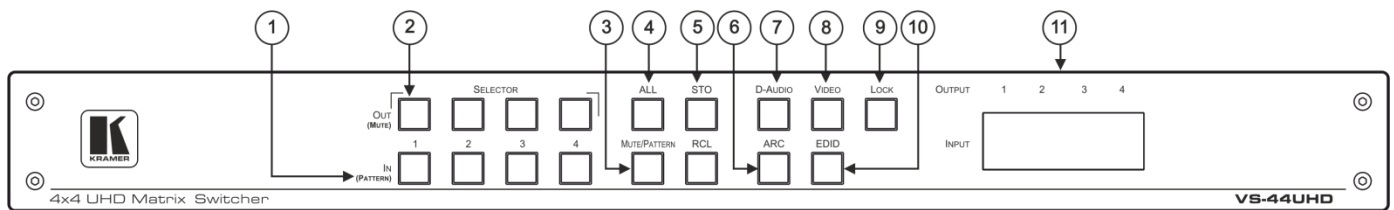
This guide helps you install and use your **VS-44UHD** for the first time.

Go to www.kramerav.com/downloads/VS-44UHD to download the latest user manual and check if firmware upgrades are available.

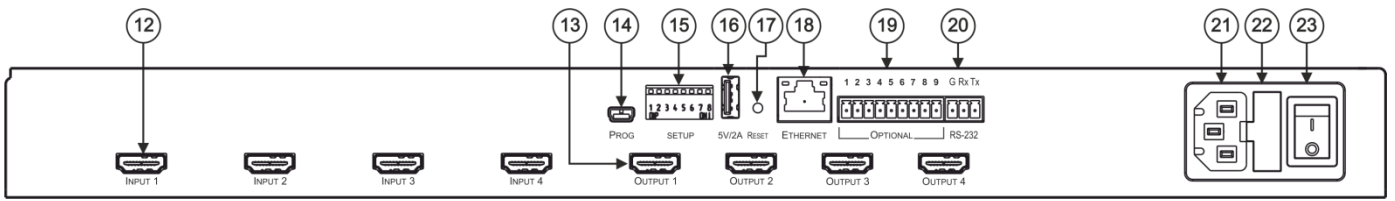
Step 1: Check what's in the box

- ✓ VS-44UHD 4x4 UHD Matrix Switcher
 - ✓ 1 Power cord
- ✓ 1 Quick start guide
 - ✓ 4 Rubber feet
- ✓ 1 Set of rack ears

Step 2: Get to know your VS-44UHD



| # | Feature | Function |
|----|------------------------------------|---|
| 1 | IN (PATTERN) SELECTOR Buttons | Press to select the input (1 to 4) to switch after selecting an output (also used for storing machine setups in the STO-RCL modes and for selecting a pattern in the Pattern mode). |
| 2 | OUT (MUTE) SELECTOR Buttons | Press to select an output (1 to 4) to which the input is routed. Also used for storing machine presets. |
| 3 | MUTE/PATTERN Button | Press to view the current pattern status and select the output/s to which a pattern is routed. Press to mute audio or video on a selected output when D-AUDIO and/or VIDEO buttons are pressed (lit). |
| 4 | ALL Button | Press to perform an action on all outputs (for example setting Mute mode, Pattern mode and so on). For switching, press ALL and then a specific IN button to route the selected input to all outputs. For example, press ALL and then IN 2 to route input 2 to all the outputs. |
| 5 | STO and RCL Buttons | Press STO to store the current switching setting to a preset button. Press RCL to recall the switching setting from a preset button. |
| 6 | ARC | For setting ARC mode on the inputs (see Step 6). |
| 7 | D-AUDIO Button | Press to enable digital audio routing. When pressed together with VIDEO, the digital audio is routed together with the video signal. |
| 8 | VIDEO Button | Press to select video inputs. When pressed together with D-AUDIO, video is switched together with audio. |
| 9 | LOCK Button | Press and hold to toggle between locking and releasing the front panel buttons. Press to save the following setups: HDCP (On/Off), ARC, Fast Switch and Switch mode. |
| 10 | EDID Button | For setting the EDID on the inputs (see Step 6). |
| 11 | OUTPUT/INPUT 7-segment LED Display | Displays the selected inputs switched to the outputs (marked above each input). |

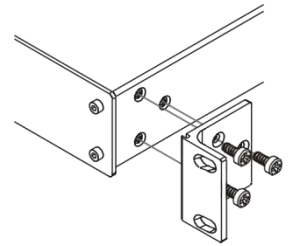


| # | Feature | Function |
|----|--|--|
| 12 | INPUT HDMI Connectors | Connect to HDMI sources (from 1 to 4). |
| 13 | OUTPUT HDMI Connectors | Connect to HDMI acceptors (from 1 to 4). |
| 14 | PROG Mini USB Port | Use for firmware upgrade or communication (connecting to a PC or a serial controller). |
| 15 | SETUP DIP-Switches | N/A |
| 16 | 5V/2A USB Port | Can be used to charge an external device. |
| 17 | RESET Button | Press and hold to reset settings to factory default values. |
| 18 | ETHERNET RJ-45 Port | Connect to your LAN. |
| 19 | OPTIONAL Terminal Block Connectors | N/A |
| 20 | RS-232 3-pin Terminal Block Connectors | Connect to a PC or a serial controller. |
| 21 | Mains Power Connector | Connect to the mains power. |
| 22 | Mains Power Fuse | Fuse for protecting the device. |
| 23 | Mains Power Switch | Switch for turning the device on or off. |

Step 3: Install the VS-44UHD

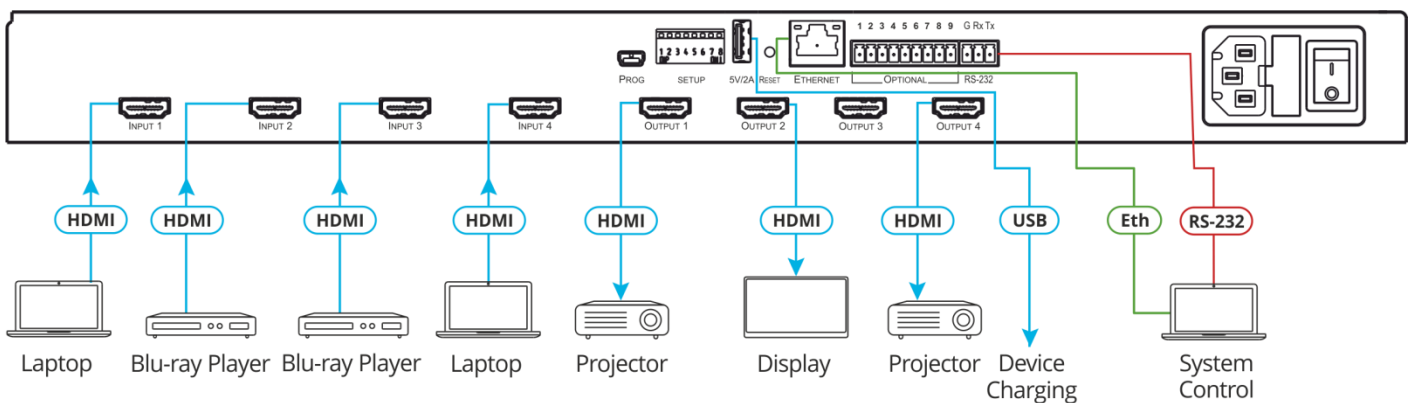
Install **VS-44UHD** using one of the following methods:

- Remove the three screws from each side of the unit, reinsert those screws through the rack ears and mount on a 19" rack.
- Attach the rubber feet and place the unit on a flat surface.



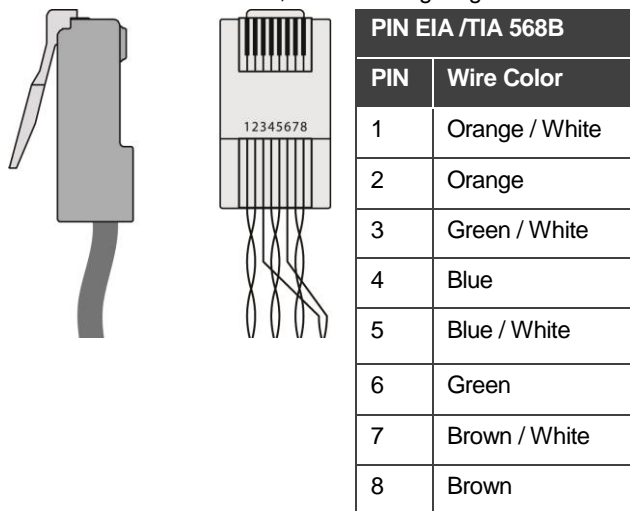
Step 4: Connect the inputs and outputs

Always switch OFF the power on each device before connecting it to your **VS-44UHD**. For best results, we recommend that you always use Kramer high-performance cables to connect AV equipment to the **VS-44UHD**.



RJ-45 Pinout:

For the Ethernet connector, see the wiring diagram below:



For optimum range and performance use the recommended Kramer cables available at www.kramerav.com/product/VS-44UHD.

Step 5: Connect the power

Connect the power cord to **VS-44UHD** and plug it into the mains electricity.

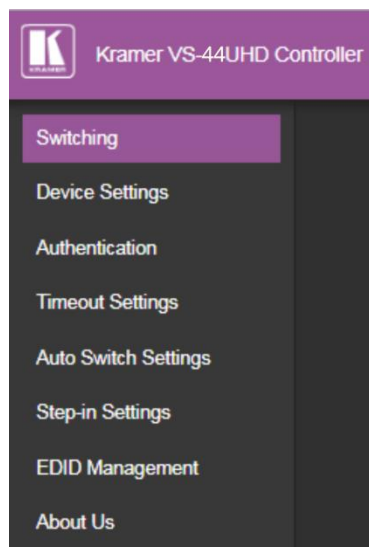
Safety Instructions



- Caution:** There are no operator serviceable parts inside the unit.
 - Warning:** Use only the power cord that is supplied with the unit.
 - Warning:** Do not open the unit. High voltages can cause electrical shock! Servicing by qualified personnel only.
 - Warning:** Disconnect the power and unplug the unit from the wall before installing.
- See www.KramerAV.com for updated safety information.

Step 6: Operate the VS-44UHD via:

Web pages:



RS-232 and Ethernet:

| RS-232/Ethernet | | | |
|--------------------------------------|--|---------------------|---------------------|
| Baud Rate: | 115,200 | Parity: | None |
| Data Bits: | 8 | Command Format: | ASCII Protocol 3000 |
| Stop Bits: | 1 | | |
| Example (Route input 1 to output 1): | | | #VID1> 1<cr> |
| Ethernet Parameters | | | |
| IP Address: | 192.168.1.39 | Default TCP Port #: | 5000 |
| Subnet Mask: | 255.255.0.0 | Default UDP Port #: | 50000 |
| Default Gateway: | 192.168.0.1 | | |
| Full Factory Reset | | | |
| Front panel: | Front panel buttons: power off the device, press and hold the LOCK, EDID and STO buttons simultaneously for 3 seconds while powering the device, and then release. | | |
| Protocol 3000: | "#factory" command. | | |
| Web Pages: | In the Device Settings page, click Reset. | | |

Front panel buttons:

The 7-segment display shows the status of **VS-44UHD** during normal operation and displays device information.

Generally, to switch an input to an output, select the switching mode and then:

- Press an output button and then an input button.
- Press **ALL** to route a selected input to all outputs.

To set the switching mode:

- Press **VIDEO** to switch the video signal of a selected input to the selected output.
- Press **D-AUDIO** (HDMI embedded audio signal) to switch the digital audio signal of a selected input to the selected output.
- Press **VIDEO + D-AUDIO** simultaneously to switch the video and digital audio signals of a selected input to the selected output.
- Press **MUTE/PATTERN** to switch the pattern signal of a selected input to the selected output.
- Press **ARC**, an input button, and then an output button. The selected output port sources its ARC to the selected input port ARC.

7-segment display example

When in Video mode, the 7-segment display shows the input-output status:



In this example: Input 1 is routed to output 1, input 3 is routed to output 2, a pattern is routed to output 3, and output 4 is set to mute.

Read and store the EDID via the front panel buttons

To read the EDID from the output:

1. Press **EDID+STO**.
The EDID and STO button LEDs light. The 7-segment display shows the current EDID status.
2. Press one or more input buttons or press **ALL**, the corresponding 7-segment LEDs flash.
3. Press an output button that is connected to a display. The 7-segment LEDs show the output number from which the EDID is read.
4. Press **EDID**. Wait approx. 5 seconds. The EDID of the display is copied to the input port/s and the device exits EDID mode.

To revert to the default EDID:

1. Press **EDID+STO**.
The EDID and STO button LEDs light. The 7-segment display shows the current EDID status.
2. Press one or more input buttons or press **ALL**, the corresponding 7-segment LEDs flash.
3. Press **MUTE/PATTERN**. The 7-segment LED flashes and shows "d".
4. Press **EDID**. Wait approx. 5 seconds. The default EDID is copied to the input port/s and the device exits EDID mode.

Use the VS-44UHD Web pages

Switching: Set input and output parameters (HDCP support, switching speed, and so on), select switching modes, set test patterns, perform switching operations, and so on.

Device Settings: View device parameters (model, name, serial number, and so on), set network parameters, perform firmware upgrade, and reset to factory defaults.

Authentication: Set password for Admin.

Timeout Settings: Set the timeout per output when no signal is detected.

Auto Switch Settings: Set switch mode (manual, last connected, or priority), select the ports included in the last connected mode, and set the priority order.

Step-in Settings: Control Step-in devices that are connected to the inputs. Select a device (that is connected to a **VS-44UHD** input), set the input signal type, and set the outputs to which the input signal is switched when the Step-in button is pressed (on the Step-in device).

EDID Management: Set the default EDID or read the EDID from an output or file to one or more of the inputs.